



INSTALLATION INSTRUCTIONS & PARTS LIST

HEARSE DECK HD150 (7134A001)



Link Mfg. Ltd.
223 15th St. N.E.
Sioux Center, IA USA
51250-2120

(712) 722-4868
Fax (712) 722-4779

**QUESTIONS?
CALL CUSTOMER
SERVICE
1-800-248-3057
www.linkcmp.com**

The **Link HD150** fits most hearses.

Estimated weight : 48 lbs.

050727
71340012

LINK® MODEL “HD150”

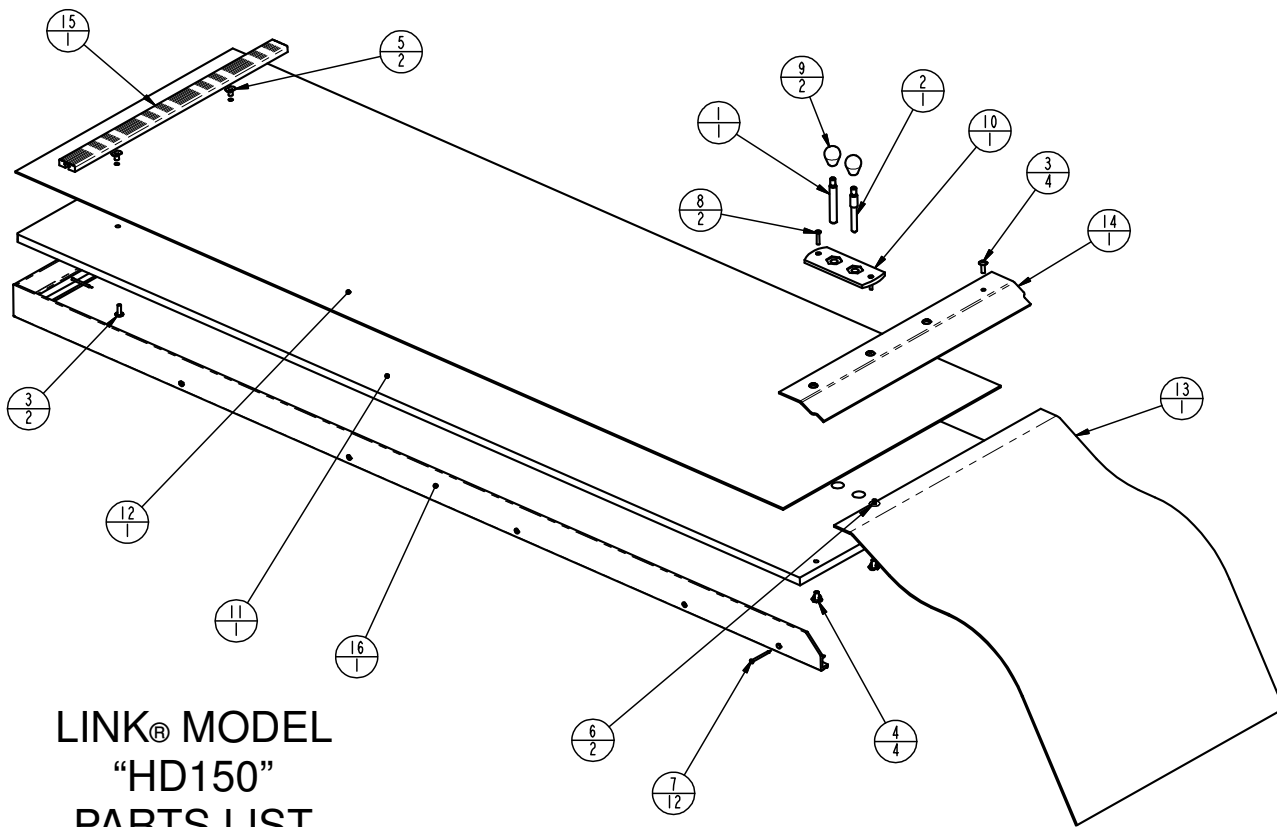
Review the **Parts List** below to become familiar with the different components of the **HD150**.

Installation:

- A. The HD150 sits in the hearse and is secured in place by inserting the supplied pin (either Ø1/2” or Ø3/8” depending on the style of bier pin in the hearse) with the knob through the bier pin plate of the HD150 into the bier pin plate of the hearse. The position of the deck will vary depending on which holes are used. It is usually best to keep the deck as far back as possible while still being able to get the door closed.
- B. A pair of Cot Post Tips has been included to replace the worn or missing tips from your cot. They will help keep the sharp edges of the cot legs from damaging the surface of the HD150. To install these tips, simply remove the old tips, insert the new tips, and lock them in place by tightening the screw on the bottom of the tip.

Maintenance:

- A. Clean with soap and water.
- B. Call Link Mfg. at 1-800-248-3057 with any questions or comments.



LINK® MODEL “HD150” PARTS LIST

ITEM	PART NO.	DESCRIPTION	QTY
1	70000052	PIN-.50 X 3.00	1
2	70000053	PIN-.375 X 3.00	1
3	144C-0806	1/4 X 3/4 UNC TRUSS HD PH MACH SCR, SS	6
4	1484-0800	1/4-20 X 9/16 TEE NUT W/PRONGS	4
5	1484-0808	1/4-20 X 7/16 SLAB BASE WELD NUT	2
6	1484-0B05	10-24 X 9/32 WELD IN T-NUT	2
7	1506-0047	SCREW-PHILLIPS DECK, 2" PLATED	12
8	1506-0053	#10 -24 X 1.00, PHIL FLAT HEAD M.S. SS	2

ITEM	PART NO.	DESCRIPTION	QTY
9	1507-0202	PLASTIC OVAL LEVER KNOB	2
10	1507-0289	BIER PIN PLATE	1
11	7134-0006	BOARD-DECK	1
12	7134-0007	MAT-DECK	1
13	7134-0008	MAT-BUMPER PROTECTION	1
14	7134-0009	REAR ANGLE GUARD	1
15	7134-0011	STRIP-COT RESTRAINT	1
16	7134-1001	FRAME-HEARSE DECK	1